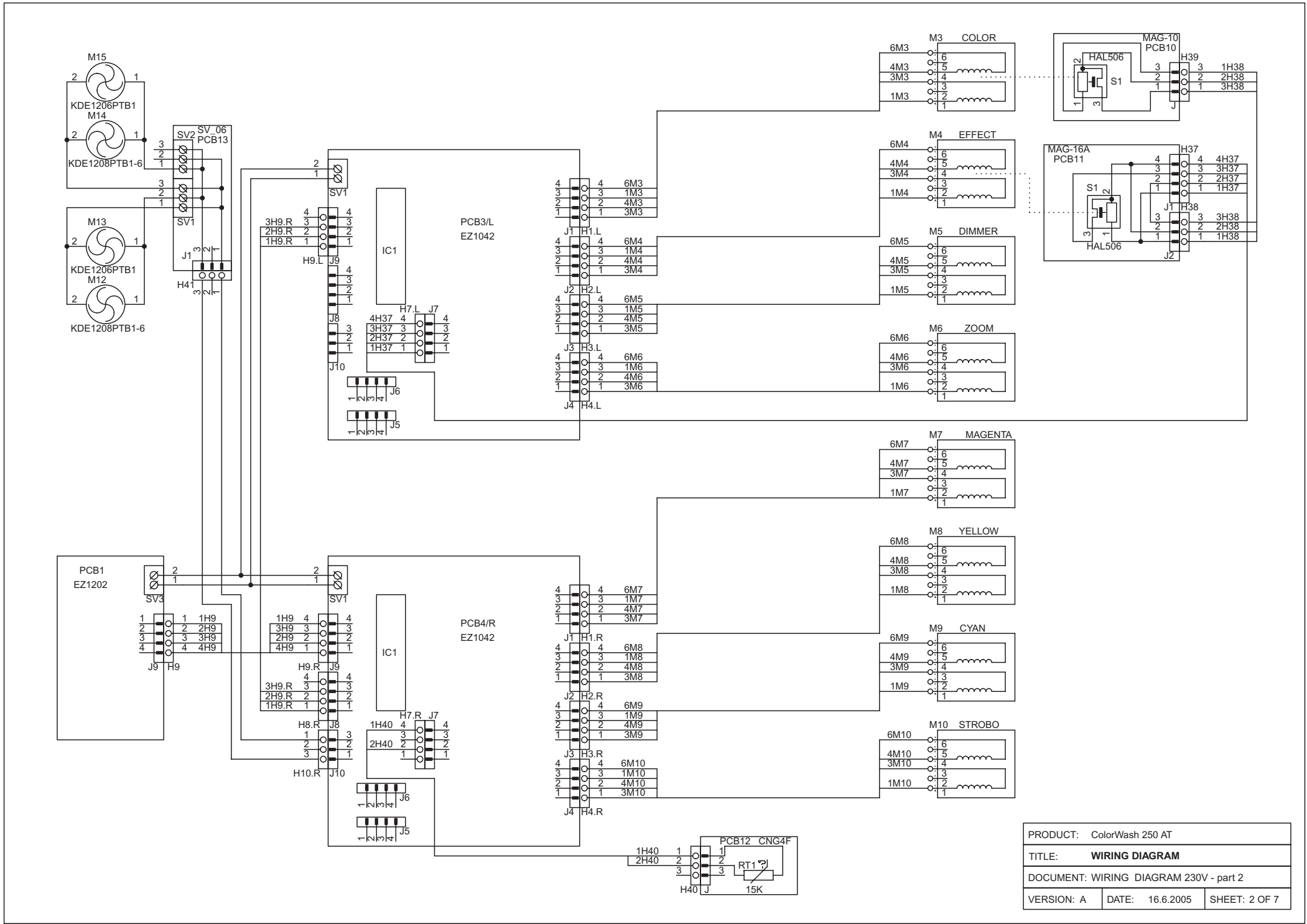
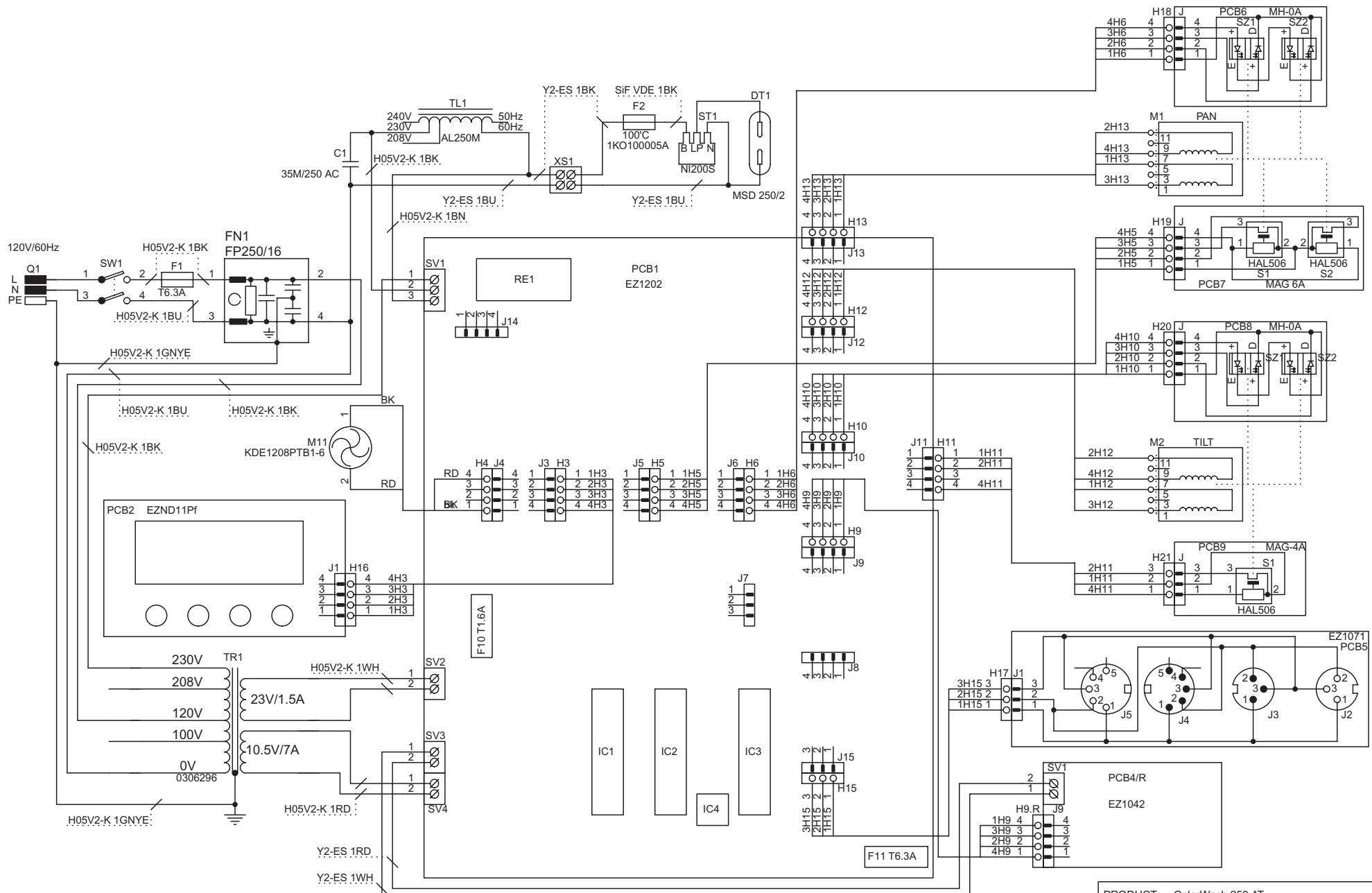


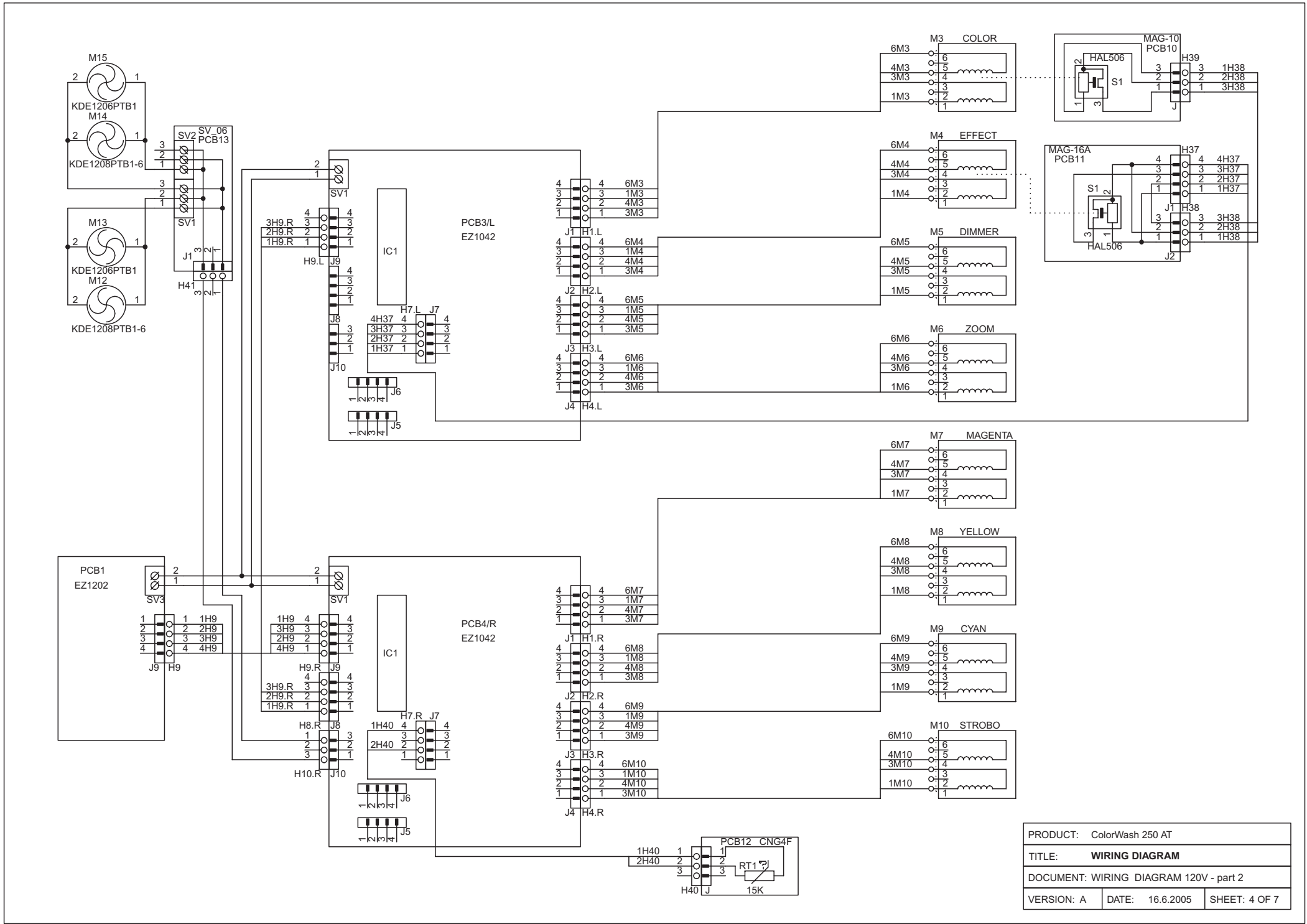
PRODUCT: ColorWash 250 AT		
TITLE: WIRING DIAGRAM		
DOCUMENT: WIRING DIAGRAM 230V - part 1		
VERSION: A	DATE: 16.6.2005	SHEET: 1 OF 7



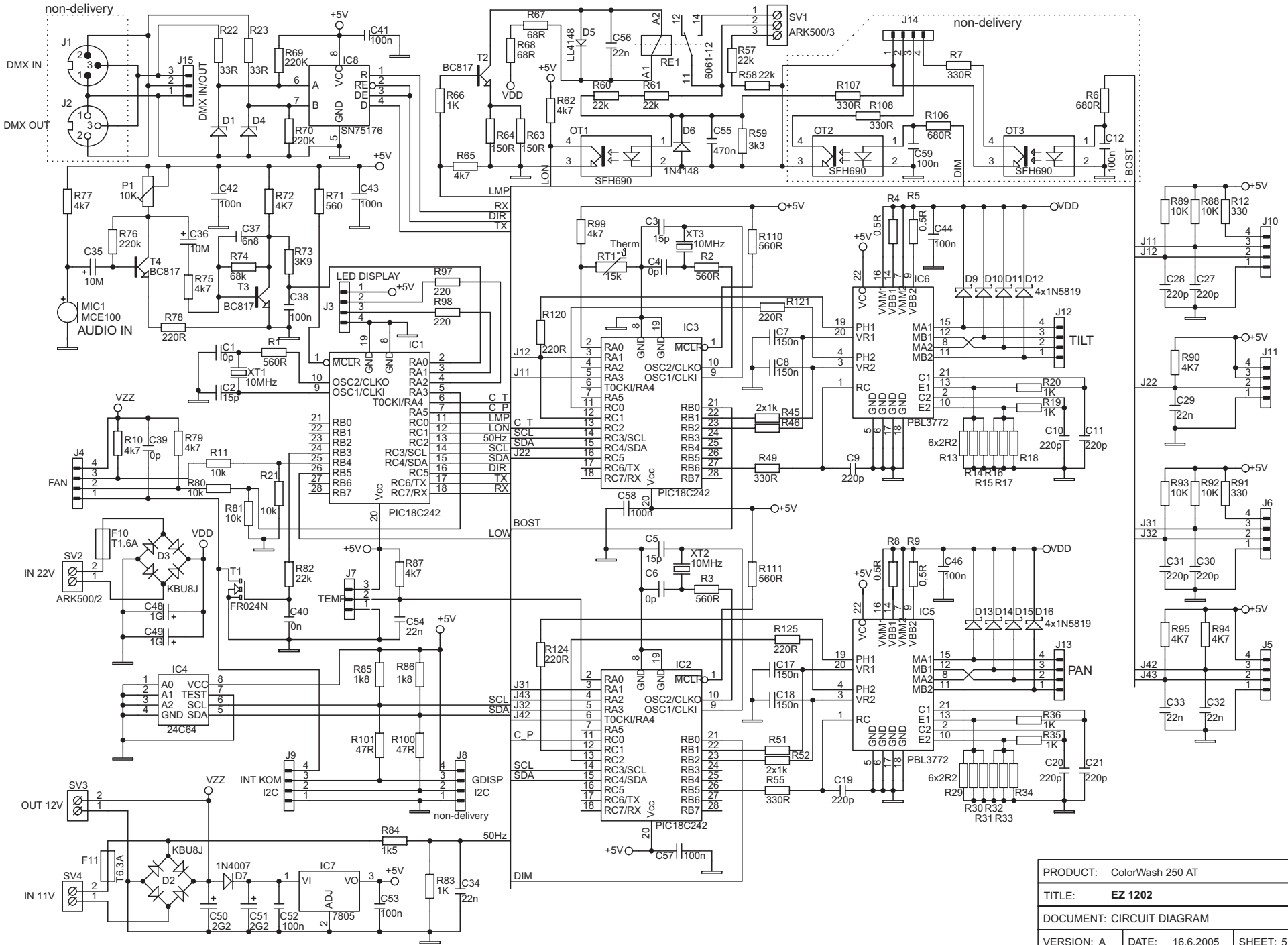
PRODUCT: ColorWash 250 AT		
TITLE: WIRING DIAGRAM		
DOCUMENT: WIRING DIAGRAM 230V - part 2		
VERSION: A	DATE: 16.6.2005	SHEET: 2 OF 7



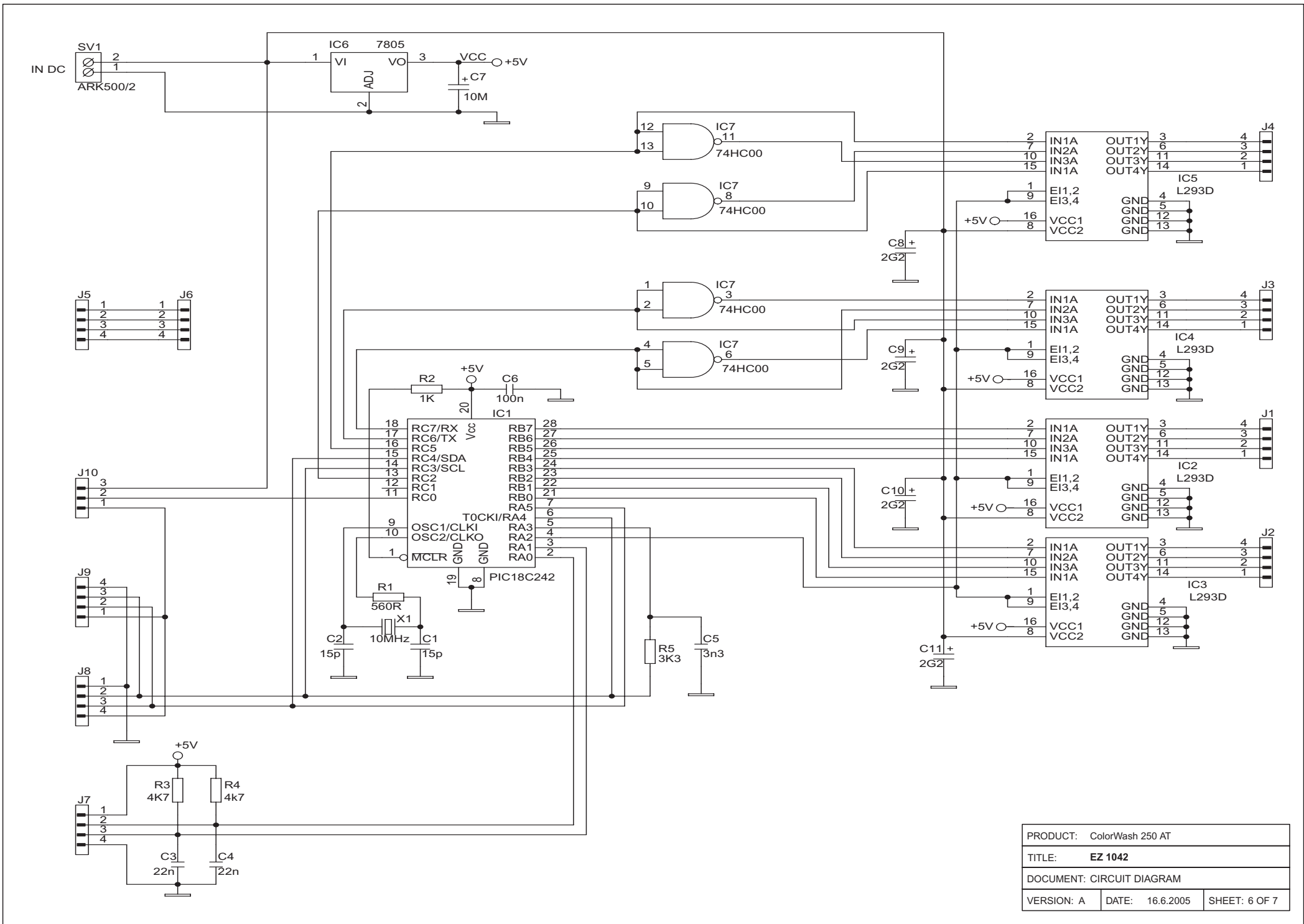
PRODUCT: ColorWash 250 AT		
TITLE: WIRING DIAGRAM		
DOCUMENT: WIRING DIAGRAM 120V - part 1		
VERSION: A	DATE: 16.6.2005	SHEET: 3 OF 7



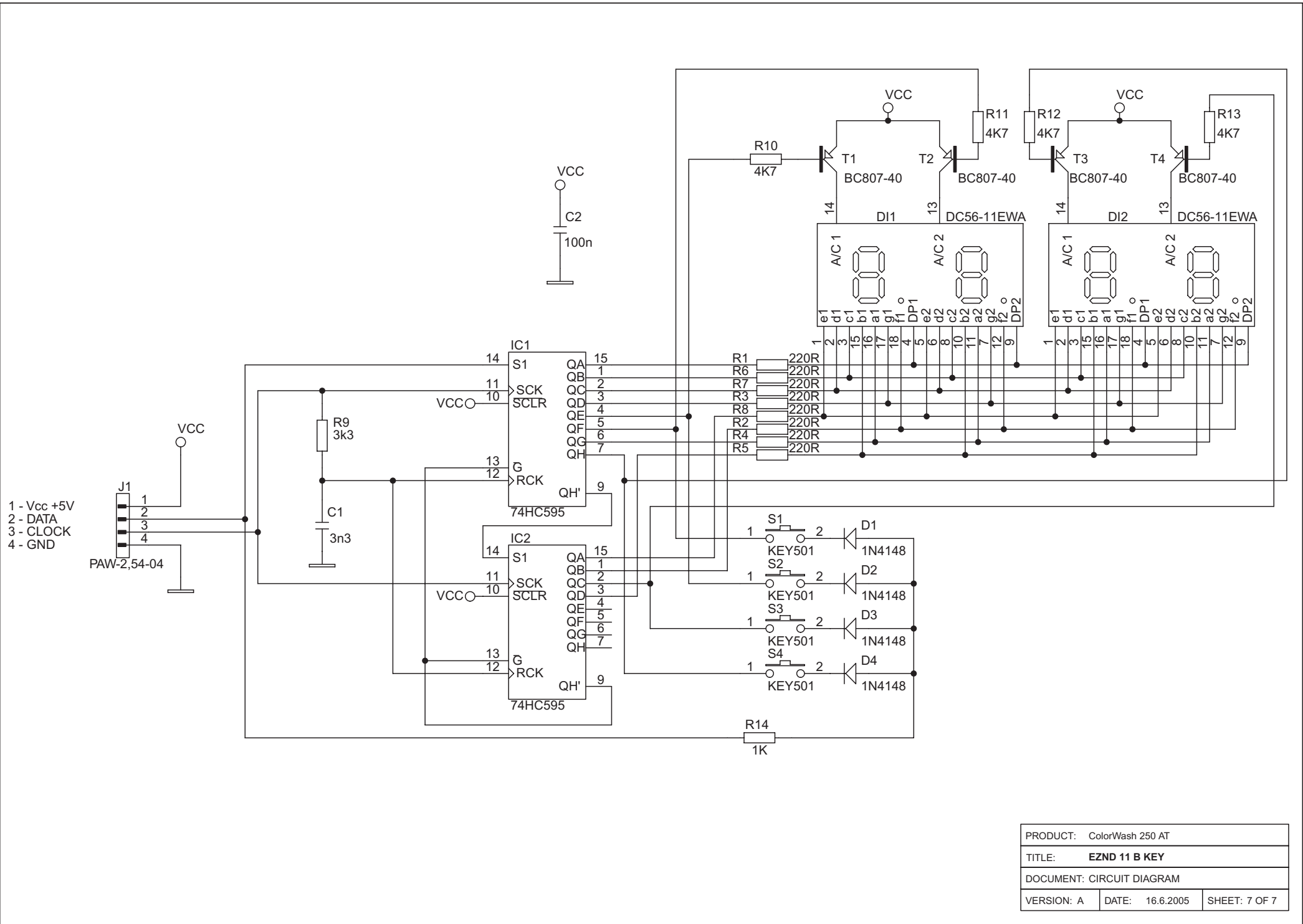
PRODUCT: ColorWash 250 AT		
TITLE: WIRING DIAGRAM		
DOCUMENT: WIRING DIAGRAM 120V - part 2		
VERSION: A	DATE: 16.6.2005	SHEET: 4 OF 7



PRODUCT: ColorWash 250 AT		
TITLE: EZ 1202		
DOCUMENT: CIRCUIT DIAGRAM		
VERSION: A	DATE: 16.6.2005	SHEET: 5 OF 7



PRODUCT: ColorWash 250 AT		
TITLE: EZ 1042		
DOCUMENT: CIRCUIT DIAGRAM		
VERSION: A	DATE: 16.6.2005	SHEET: 6 OF 7



PRODUCT: ColorWash 250 AT		
TITLE: EZND 11 B KEY		
DOCUMENT: CIRCUIT DIAGRAM		
VERSION: A	DATE: 16.6.2005	SHEET: 7 OF 7